



ARISTON

SPARE PARTS EXPLODED VIEW STORAGE ELECTRIC WATER HEATERS

Model

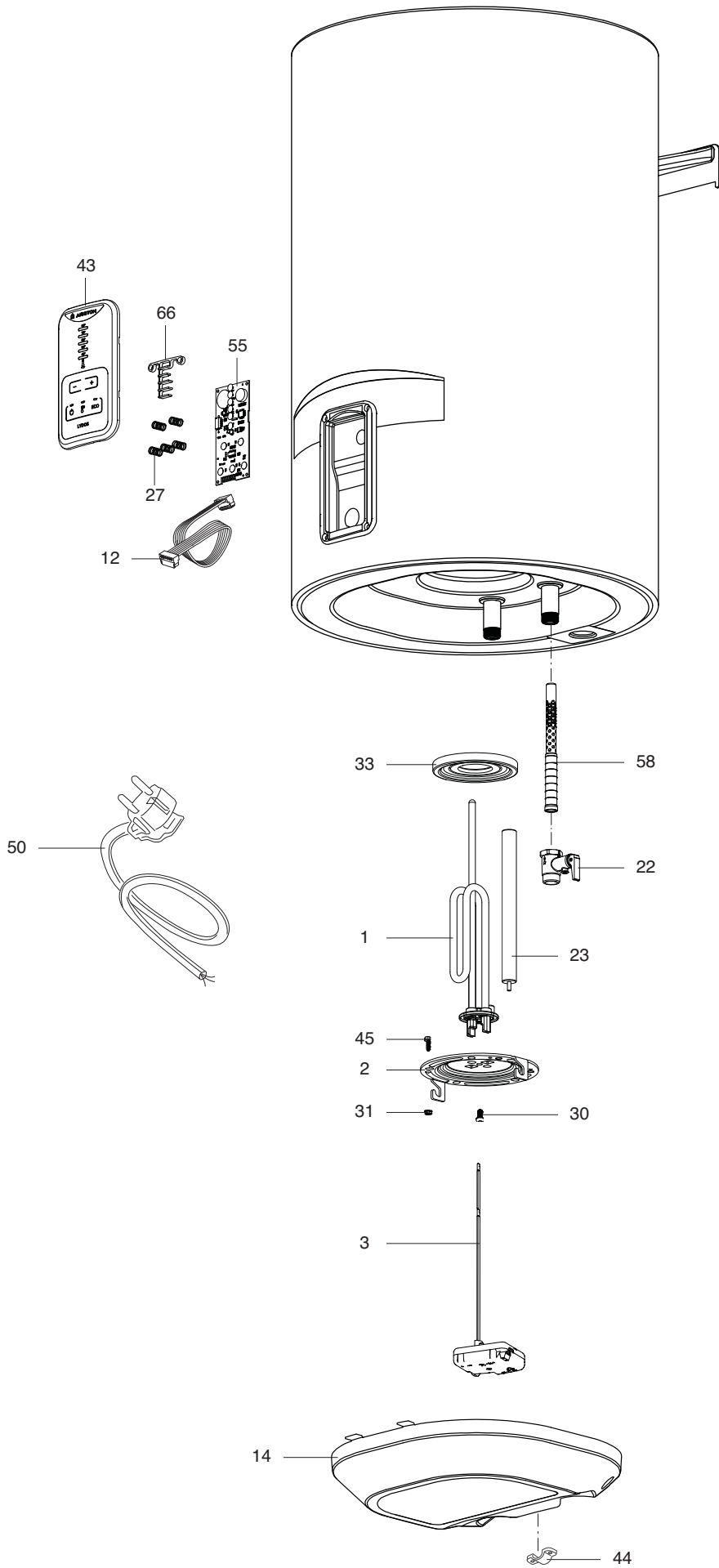
LYDOS ECO 1,8K

R8218126-04 - 04/10/2022

LYDOS ECO 1,8K

Storage Electric Water Heaters

1	3201857	LYDOS ECO 50 V 1,8K EU	06-2018	-
2	3201885	LYDOS ECO 50 V 1,8K PL EU	06-2018	-
3	3201858	LYDOS ECO 80 V 1,8K EU	06-2018	-
4	3201887	LYDOS ECO 80 V 1,8K PL EU	06-2018	-
5	3201859	LYDOS ECO 100 V 1,8K EU	06-2018	-
6	3201889	LYDOS ECO 100 V 1,8K PL EU	06-2018	-
Col	Reference	Model type	Begin	End



☺➔	Description	Manf. Pt. N	Type	<div style="display: flex; justify-content: space-around; font-size: small;"> LYD. ECO 50 1,8K LYD. ECO 80 1,8K LYD. ECO 80 1,8K-PL LYD. ECO 80 1,8K LYD. ECO 100 1,8K-PL LYD. ECO 100 1,8K </div>																		From	to
				1	2	3	4	5	6	7	8	9	10	11	12	13	14	15	16	17	18		
0001	HEATING ELEMENT 1800W 220-240V	65121962		●	●	●	●	●															
	HEATING ELEMENT 1800W 220-240V	65121963			●	●	●	●	●														
0002	FLANGE (5 HOLES)	65111789		●	●	●	●	●	●														
0003	ELECTRONIC THERMOSTAT	65115258		●	●	●	●	●	●														
0012	WIRING (CONTROL BOARD)	65117998		●	●	●	●	●	●														
0014	PLASTIC COVER	65117999		●	●	●	●	●	●														
0022	SAFETY VALVE WITH LEVER (1/2" 8,5 BAR)	571730		●	●	●	●	●	●														
0023	ANODE D:25,5 L:230 M5-M8	993014-01		●	●	●	●	●	●														
0027	SPRING	65117996		●	●	●	●	●	●														
0030	SCREW M6X12	993000		●	●	●	●	●	●														
0031	NUT M6	994140		●	●	●	●	●	●														
0033	FLANGE GASKET	65111788		●	●	●	●	●	●														
	FLANGE GASKET	65120463			●	●	●	●	●														
0043	CONTROL PANEL	65117995		●	●	●	●	●	●														
0044	CABLE CLAMP	65121205			●	●	●	●	●														
0045	SCREW M6X20	65151225-FA		●	●	●	●	●	●														
0050	POWER CABLE	993199			●	●	●	●	●														
0055	CONTROL BOARD	65117994		●	●	●	●	●	●														
0058	BAFFLE (1/2" H=70)	65117462		●	●	●	●	●	●														
	BAFFLE (1/2" H=70)	65120466			●	●	●	●	●														
0066	LIGHT SEPARATOR	65117997		●	●	●	●	●	●														

LIST OF THE ABBREVIATIONS

HW	: Hot water.
CW	: Cold water.
C	: Ceramic resistance (normal heating).
Ca	: Ceramic resistance (accelerated heating)
TP	: Immersion heater.
1F	: With fittings.
2F	: Without fittings.
3F	: With fittings and another outlet connection.
AMI	: With mixing valve.
SMI	: Without mixing valve.
PUISS	: Power of th appliance.
PN	: Appliance with normal pression.
LP	: Appliance with low pression.
PV	: Appliance with variable power.
PF	: Appliance with fixed power.

IDENTIFICATION PLATE

SERIAL NUMBER

6 Characters :
 Year of manufacture 03 09 08 Manufacturing day
 Month of manufacture

9 Characters :
 Year of manufacture 5 9 12 0606 Sequential number
 Month of manufacture

14 Characters :
SI-V-0B0 45 07 0001
 Sequential number
 Year of manufacture : → 6 → 2004
 Month of manufacture : → 25 → January 43 → July 7 → 2005
 13 → February 29 → August 8 → 2006
 32 → March 40 → September etc ...
 35 → April 38 → October
 39 → May 51 → November
 45 → June 12 → December

14 Characters :
111518 XX 000010
 Month of manufacture 11 Sequential number
 Day of manufacture 18 Year of manufacture

15 Characters :
 Year of manufacture 02 11 00001 007843 Product reference
 Month of manufacture Sequential number

21 Characters :
3200050 XX 08115 0000001
 Product reference Sequential number
 Year (08) / Manufacturing day (115)

22 Characters :
3200050 XX 070115 0000001
 Product reference Sequential number
 Year (07) / Month (01) / Manufacturing day (15)